

## OCM-1002 2 SLOT MAINFRAME WITH ELEMENT MANAGEMENT FUNCTION (1U SIZE)



- Connection to the ComMon or the SNMP Monitoring System
- Powering redundancy option with external DC 24 V source
- Thermal control
- Cost-effective solution

### GENERAL DESCRIPTION

OCM1002 is a headend mainframe with low spatial dimensions since takes in 2 pieces of horizontally mounted standard COMTECH headend units. This is a perfect decision for smaller service providers to place a FOT3xx-DROR / FOT3xx-QROR pair or a redundant SFOR1200 pair at the headend. The device provides by default cooling and element management function with ComMon or SNMP protocol, and provides optional powering redundancy with an external DC 24 V power source.

### TECHNICAL PARAMETERS

#### Power supply parameters

Maximum output power of the power supply [W]	40
Maximum output current of the power supply [A]	1.6
Internal supply voltage [VDC]	24
Input voltage range [VAC]	85...264

#### Communication parameters

Physical layer protocols	10Base-T, RJ-45, RS485
Data link layer protocols	IEE-803.2 (Ethernet) MAC (SCTE 25-2) <sup>(1)</sup>
Network layer protocols	IETF RFC 891 (IPv4 - Internet Protocol v4) IETF RFC 826 (ARP - Address Result Protocol) IETF RFC 903 (RARP - Reverse Address Result Protocol) IETF RFC 792 (ICMP - Internet Control Message Protocol) 'Echo' and 'Echo reply' messages
Transport layer protocols	IETF RFC 768 (User Datagram Protocol)
Application layer protocols	RFC 2131 (DHCP - Dynamic Host Configuration Protocol) RFC 1067 (SNMP - Simple Network Management Protocol) <sup>(1)</sup>

#### General parameters

Number of module-slots [pcs]	2
Interface to the monitoring system	10BaseT
Internal communication	RS485
Temperature range [°C]	0...+50

*Specifications are subject to change without notice!*

Multiple errorsignal connectors

NC-COM, NO-COM

Mounting width [mm]

428.6 (Standard 19")

Dimensions [mm]

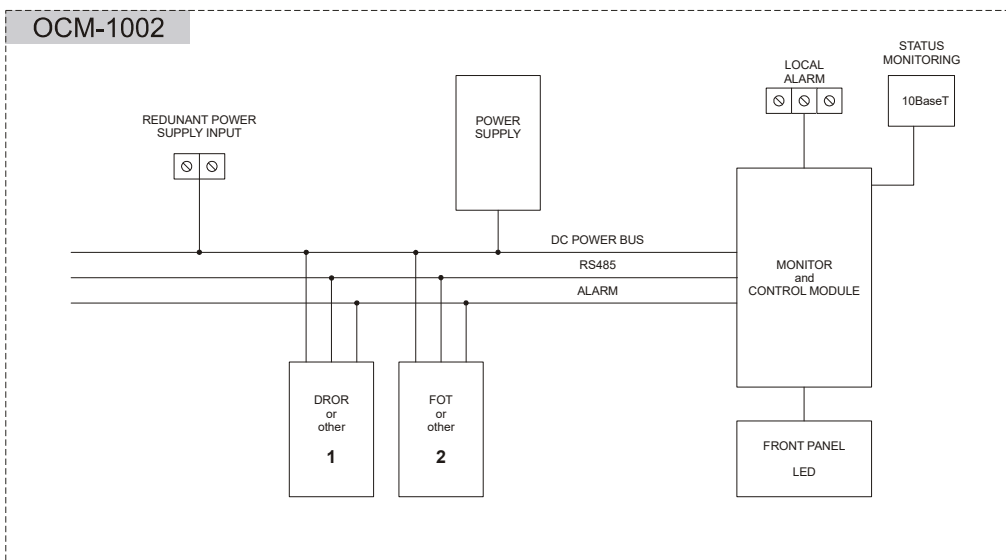
483x300x43.5

Weight [kg]

3.3

(1) In case of SNMP version

**BLOCK DIAGRAM**



**ORDERING INFORMATION**

O C M - 1 0 0 2 - X

↓

Communication standard	
C	Comtech (Default)
S	SNMP standard

Specifications are subject to change without notice!