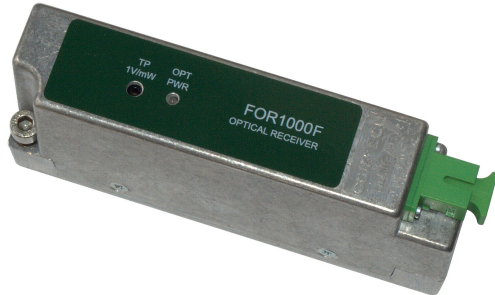


FOR1000F FORWARD PATH RECEIVER MODULE FOR FIBER DEEP NETWORKS



- Downstream frequency range up to 1 GHz
- Optional connection to monitoring system
- Automatic optical gain control

GENERAL DESCRIPTION

Broadband optical receiver module for the COMTECH manufactured modular optical nodes with circuitry for providing signal levels used in FiberDeep networks. The module can be used for upgrading and reconfiguring the existing MO1003 and MO1004 nodes.

TECHNICAL SPECIFICATIONS

Optical receiver parameters

Wavelength [nm]	1290...1620
Optical input level range [dBm]	-8...+3
Optical return loss [dB]	>45
Optical level (testpoint) [V/mW]	1
Nominal optical input level [dBm]	-3

RF parameters

Bandwidth [MHz]	47...1000
Equivalent input noise [pA/√Hz]	6
Level control	OLC
Output level @ 47MHz (4% OMI) [dBμV]	76
Output level @ 1GHz (4% OMI) [dBμV]	86
Output level accuracy [dB]	±1
TILT [dB]	10 ⁽¹⁾
Flatness [dB]	±0.7

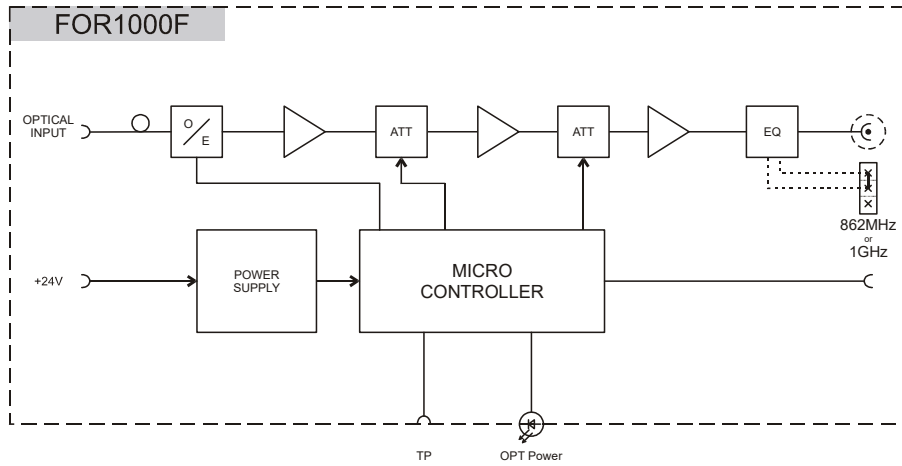
General parameters

Current consumption [mA]	90
Power supply voltage [V]	+24
Temperature range [°C]	-40...+70
Optical connector type	SC/APC, EURO2000

(1) TILT breakpoint frequency adjustable with jumper - 862MHz or 1GHz

Specifications are subject to change without notice!

BLOCK DIAGRAM



ORDERING INFORMATION

F O R 1 0 0 0 F - X X



Type of the optical connector	
SA	SC/APC (Recommended type)
EU	EURO2000

In basic configuration the MO1003xF and MO1004xF contains 1pc of FOR1000F module. Other modules for segmented and redundant operation must be ordered separately!

Specifications are subject to change without notice!