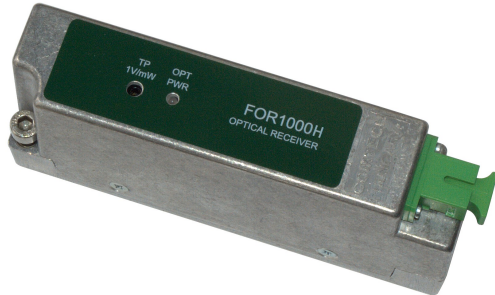


FOR1000H FORWARD PATH RECEIVER MODULE FOR CLASSICAL HFC NETWORKS



- Downstream frequency range up to 1 GHz
- Optional connection to monitoring system
- Automatic optical gain control

GENERAL DESCRIPTION

Broadband optical receiver module for the COMTECH manufactured modular optical nodes with circuitry for providing signal levels used in classical HFC networks. The module can be used for upgrading and reconfiguring the existing MO1003 and MO1004 nodes.

TECHNICAL SPECIFICATIONS

Optical receiver parameters

Wavelength [nm]	1290...1620
Optical input level range [dBm]	-5...+3
Optical return loss [dB]	>45
Optical level (testpoint) [V/mW]	1
Nominal optical input level [dBm]	0

RF parameters

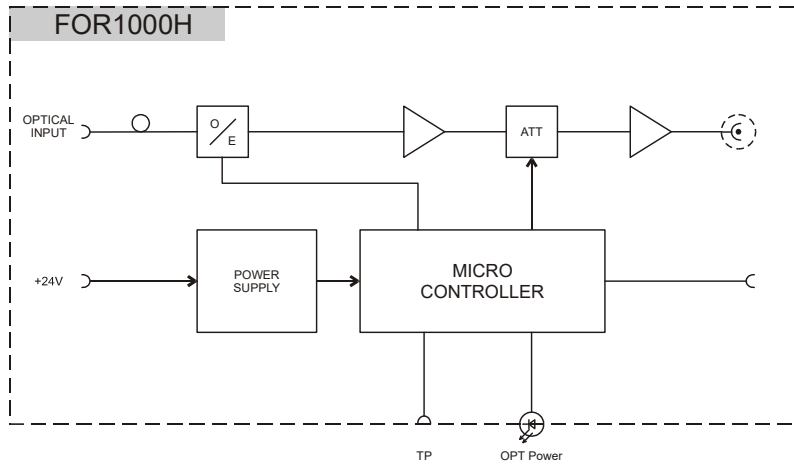
Bandwidth [MHz]	47...1000
Equivalent input noise [pA/√Hz]	6
Level control	OLC
Output level (4% OMI) [dBμV]	79
Output level accuracy [dB]	±1
Flatness [dB]	±0.7

General parameters

Current consumption [mA]	60
Power supply voltage [V]	+24
Temperature range [°C]	-40...+70
Optical connector type	SC/APC, EURO2000

Specifications are subject to change without notice!

BLOCK DIAGRAM



ORDERING INFORMATION

F O R 1 0 0 0 H - X X



Type of the optical connector	
SA	SC/APC (Recommended type)
EU	EURO2000

In basic configuration the MO1003xH and MO1004xH contains 1pc of FOR1000H module. Other modules for segmented and redundant operation must be ordered separately!

Specifications are subject to change without notice!