

ROT6 RETURN PATH TRANSMITTER MODULE



- Frequency range up to 65 MHz
- Optional connection to monitoring system
- Wavelength range: 1270...1610 nm

TECHNICAL SPECIFICATIONS

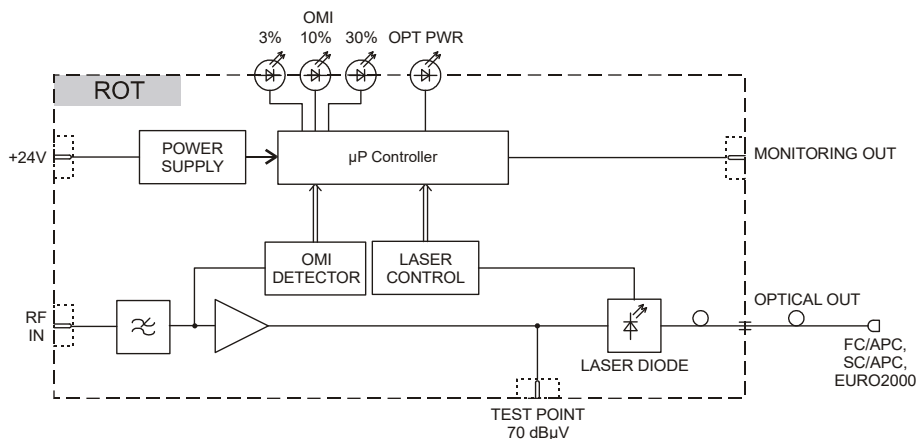
Optical transmitter parameters	ROT61F	ROT62D	ROT62C-xxxx	ROT64C-xxxx
Wavelength [nm]	1310		1470-1610	
Spectrumwidth (typical) [nm]	2	0.1	0.1	
Wavelength accuracy [nm]	-	-	±3	
Wavelength-change depending on temperature [nm/°C]	0.4	0.08	0.11	
Output power [mW]	1	2	2	4
Noise figure (RIN) [dB/Hz]	-125	-145	-145	
CSO [dBc]	-40 ⁽¹⁾	-52 ⁽¹⁾	-50 ⁽¹⁾	
CTB [dBc]	-50 ⁽¹⁾	-62 ⁽¹⁾	-55 ⁽¹⁾	-60 ⁽¹⁾
Current consumption [mA]	75	95	75	
RF parameters				
Frequency range [MHz]			5-65	
Flatness [dB]			±0.75	
Impedance [Ω]			75	
RF testpoint [dBμV]			70 ⁽²⁾	
Return loss [dB]			>16	
Nominal input level (10% OMI) [dBμV]			78	
General parameters				
Optical connector type (optional)			SC/APC, EURO2000	
Power supply voltage [V]			+24	
Temperature range [°C]			-20...+70	
Dimensions [mm]			105x35x22	

(1) 2 signals, 25% modulation depth, 5-65MHz

(2) 10% optical modulation index

Specifications are subject to change without notice!

BLOCK DIAGRAM



ORDERING INFORMATION

R O T 6 X X - X X X X - X X

Laser type	
1F	FP laser (1mW)
2D	DFB laser (2mW)
2C	CWDM laser (2mW)
4C	CWDM laser (4mW)

Wavelength (CWDM)	
1430 ⁽³⁾	1430 nm
1450 ⁽³⁾	1450 nm
1470	1470 nm
1490	1490 nm
1510	1510 nm
1530	1530 nm
1550	1550 nm
1570	1570 nm
1590	1590 nm
1610	1610 nm

Type of the optical connector	
SA	SC/APC (Recommended type)
EU	EURO2000

Wavelength (FP and DFB)	
1310	1310 nm

(3) In case of ROT62C

Remarks: These modules are options for the MO1003xx-xx-xx and MO1004xx-xx-xx optical nodes.

Specifications are subject to change without notice!