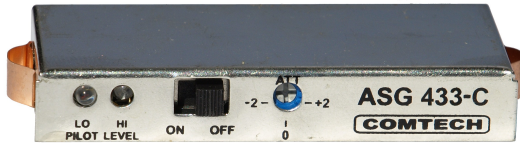


ASG433 COMTECH PILOT CONTROL MODULE FOR SPECIAL FREQUENCY

Modified version of ASG535-C module by a customer request.

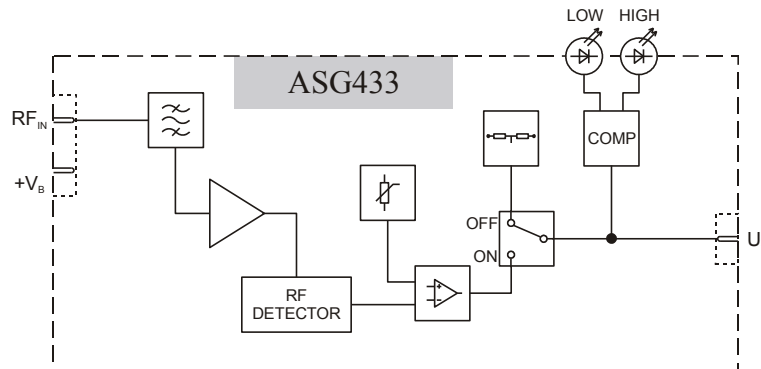


- Regulation on TV channel's picture-carrier
- Plug-in construction
- Accurate regulation
- Temperature-compensated construction
- State-indication by LEDs
- Connection to the Monitoring System

TECHNICAL SPECIFICATIONS

Pilot control module type	ASG433
Pilot frequency [MHz]	433.25
Pilot frequency level [dBμV]	adjustable in range of 73-77
Power supply voltage [VDC]	24
Control voltage [V]	0-20
Temperature range [°C]	-40...+60

BLOCK DIAGRAM



ORDERING INFORMATION

A S G 4 3 3

Specifications are subject to change without notice!