

FOT-D EXTERNALLY MODULATED 1550 NM DWDM FORWARD PATH OPTICAL TRANSMITTER



- DOCSIS 3.1 compatible frequency range up to 1.2 GHz
- Up to 8 DWDM channels in a single fiber
- Adjustable SBS threshold
- Fine tunable wavelength in order to avoid signal degradation by FWM
- Optical link up to 60 km
- For CATV HFC, RfOG and FttH RF overlay solutions

TECHNICAL SPECIFICATIONS

Optical parameters

Wavelength [ITU channel]	21, 22, 24, 26, 28, 33, 39, 48, 52, 54, 60, 62
Output optical power [mW]	14 (11.5dBm)
SBS threshold [dBm]	12...16 (variable)
Optical connector	SC/APC or EURO2000
Laser type	Linear Externally Modulated (L-EML)

RF parameters

Frequency range [MHz]	47...1218
Return loss [dB]	>16
Flatness [dB]	±0.5
Nominal RF input level [dBμV]	80 ⁽¹⁾
RF input level range [dB]	±8
RF offset range [dB]	-6...+3
RF equaliser range [dB]	0...6
RF testpoint (3.2% OMI) [dBμV]	75±1
Port-to-port isolation (NC to BC) [dB]	>50
CTB [dBc]	-60 ⁽²⁾
CSO [dBc]	-55 ⁽²⁾
CNR [dB]	>47.5 ⁽²⁾
MER [dB]	44 ⁽³⁾
Pre-FEC BER	1.0E-9 ⁽³⁾

General parameters

Power consumption (typical / maximum) [W]	6.9 / 11.2
Operational temperature range [°C]	0...+50
Dimensions [mm]	230x130x35
Weight [kg]	0.6

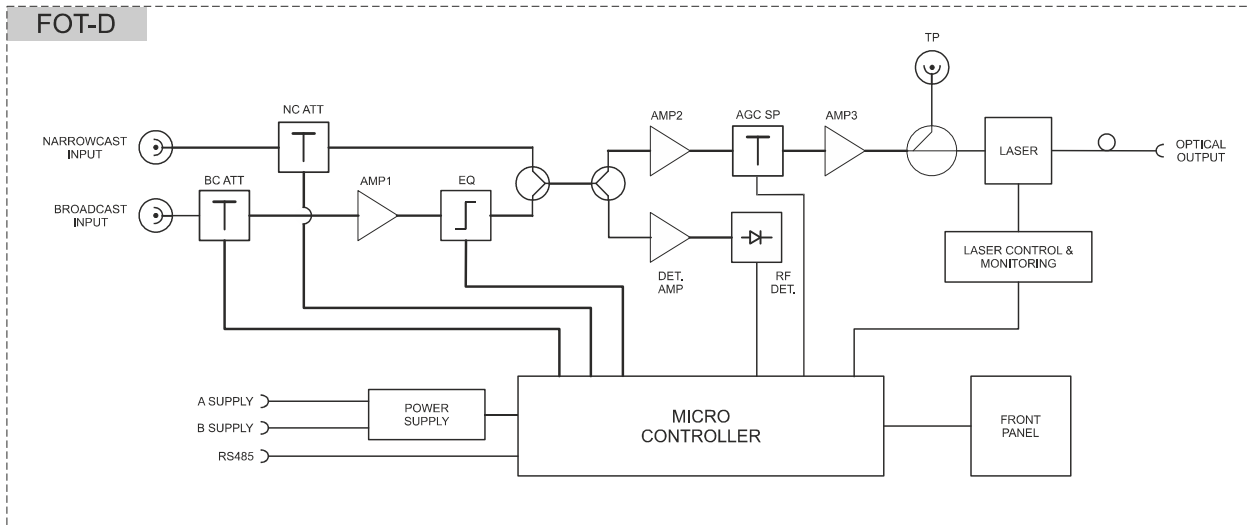
(1) 92 ITU-T J.83 Annex A 256 QAM channels between 258 MHz and 1002 MHz

(2) Test conditions: 190 CW channels after an optical link of 40 km, received power 0 dBm

(3) Measured with 190 ITU-T J.83 Annex A 256 QAM after an optical link of 40 km, received power 0 dBm, system MER > 57 dB

Specifications are subject to change without notice!

BLOCK DIAGRAM



ORDERING INFORMATION

F O T - D 5 X X - X X - X X - X

Output power

14	14mW / 11.5Bm
----	---------------

Optical interface position

blank	Front side (Recommended type)
R	Rear side

Output wavelength

21	1560.61 nm
22	1559.79 nm (Recommended type)
24	1558.17 nm (Recommended type)
26	1556.56 nm (Recommended type)
28	1554.94 nm (Recommended type)
33	1550.92 nm
39	1546.12 nm
48	1538.98 nm
52	1535.82 nm
54	1534.25 nm
60	1529.55 nm
62	1527.99 nm

Optical connector

SA	SC/APC (Recommended type)
EU	EURO2000

Specifications are subject to change without notice!