

ROT20 RETURN PATH TRANSMITTER MODULE



- Frequency range up to 200 MHz
- Optional connection to monitoring system
- Wavelength range: 1270...1610 nm

TECHNICAL SPECIFICATIONS

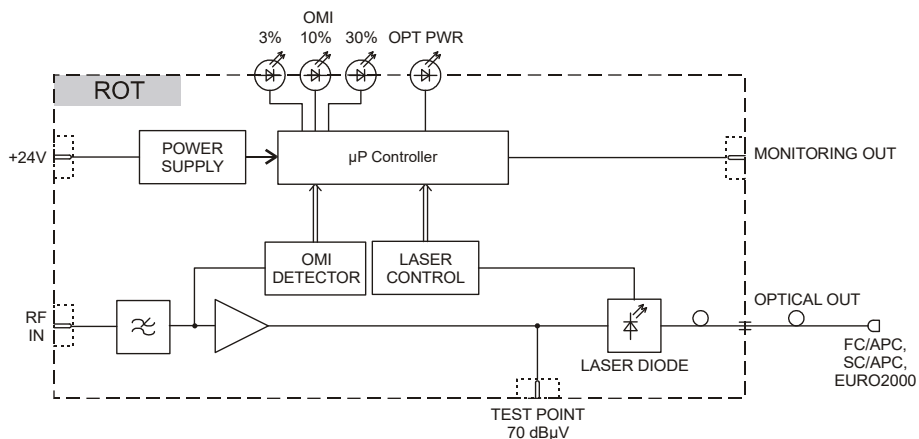
| Optical transmitter parameters | ROT201F | ROT202D | ROT202C-xxxx | ROT204C-xxxx |
|--|--------------------|--------------------|--------------------|--------------------|
| Wavelength [nm] | 1310 | | 1470-1610 | |
| Spectrumwidth (typical) [nm] | 2 | 0.1 | 0.1 | |
| Wavelength accuracy [nm] | - | - | ±3 | |
| Wavelength-change depending on temperature [nm/°C] | 0.4 | 0.08 | 0.11 | |
| Output power [mW] | 1 | 2 | 2 | 4 |
| Noise figure (RIN) [dB/Hz] | -125 | -145 | -145 | |
| CSO [dBc] | -40 ⁽¹⁾ | -52 ⁽¹⁾ | -50 ⁽¹⁾ | |
| CTB [dBc] | -50 ⁽¹⁾ | -62 ⁽¹⁾ | -55 ⁽¹⁾ | -60 ⁽¹⁾ |
| Current consumption [mA] | 75 | 95 | 75 | |
| RF parameters | | | | |
| Frequency range [MHz] | | | 5-204 | |
| Flatness [dB] | | | ±0.75 | |
| Impedance [Ω] | | | 75 | |
| RF testpoint [dBμV] | | | 70 ⁽²⁾ | |
| Return loss [dB] | | | >16 | |
| Nominal input level (10% OMI) [dBμV] | | | 78 | |
| General parameters | | | | |
| Optical connector type (optional) | | | SC/APC, EURO2000 | |
| Power supply voltage [V] | | | +24 | |
| Temperature range [°C] | | | -20...+70 | |
| Dimensions [mm] | | | 105x35x22 | |

(1) 2 signals, 25% modulation depth, 5-204MHz

(2) 10% optical modulation index

Specifications are subject to change without notice!

BLOCK DIAGRAM



ORDERING INFORMATION

R O T 2 0 X X - X X X X - X X

| Laser type | |
|------------|------------------|
| 1F | FP laser (1mW) |
| 2D | DFB laser (2mW) |
| 2C | CWDM laser (2mW) |
| 4C | CWDM laser (4mW) |

| Wavelength (CWDM) | |
|---------------------|---------|
| 1430 ⁽³⁾ | 1430 nm |
| 1450 ⁽³⁾ | 1450 nm |
| 1470 | 1470 nm |
| 1490 | 1490 nm |
| 1510 | 1510 nm |
| 1530 | 1530 nm |
| 1550 | 1550 nm |
| 1570 | 1570 nm |
| 1590 | 1590 nm |
| 1610 | 1610 nm |

| Type of the optical connector | |
|-------------------------------|---------------------------|
| SA | SC/APC (Recommended type) |
| EU | EURO2000 |

| Wavelength (FP and DFB) | |
|-------------------------|---------|
| 1310 | 1310 nm |

(3) In case of ROT202C

Remarks: These modules are options for the MO1003xx-xx-xx and MO1004xx-xx-xx optical nodes.

Specifications are subject to change without notice!