

NMT-CSC MONITORING TRANSPONDERS FOR CISCO TYPES



- Extended frequency range for DOCSIS 3.1
- Monitoring of the amplifier's parameters
- Monitoring of the optical parameters
- Monitoring of the signal and noise level in the CATV system
- Remote software-update possibility
- Noise switch-off control
- Port for Local Management Terminal

TECHNICAL SPECIFICATIONS

Monitoring parameters

Amplifier's monitored parameters

Peak value of the remote AC power, operating DC power, operation temperature, forward path and return path level of the transmitter, alarm status of the equipment and device specific parameters.

Optical node's monitored parameters

Peak value of the remote AC power, operating DC power, operation temperature, forward path and return path level of the transmitter, alarm status of the equipment and device specific parameters.

Controlled parameters

State of the noise switch-off module (Off, On, -6dB, Auto) and device specific parameters

Monitored devices

93240,9325x,93270,93280,90075,9009x,90100,90300,90200

RF parameters

Transmitter output level range [dBμV]	84-110
Receiver input level range [dBμV]	35-80
Output level accuracy [dB]	±2
Transmitter frequency [MHz]	5-65
Receiver frequency [MHz]	65-300
Transmitter and receiver frequency raster [kHz]	50
Transmitter bandwidth [kHz]	400
Isolation [dB]	-60
Output impedance [Ω]	75
Modulation	FSK±67kHz

Protocols

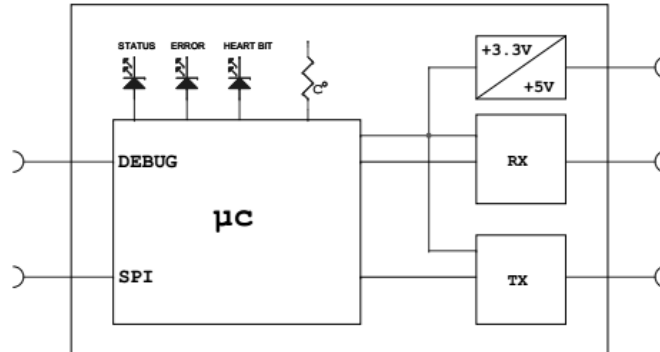
SNMPv1; HMS or SMC (optionally selectable)

General parameters

Baud rate [baud]	9600, 19200, 38400 (selectable)
Power supply voltage [VDC]	+24
Power consumption [VA]	≤1.5
Temperature range [°C]	-40...+60

Specifications are subject to change without notice!

BLOCK DIAGRAM



ORDERING INFORMATION

N M T - C S C X

Transponder module

Protocol	
H	HMS
S	SMC

Specifications are subject to change without notice!